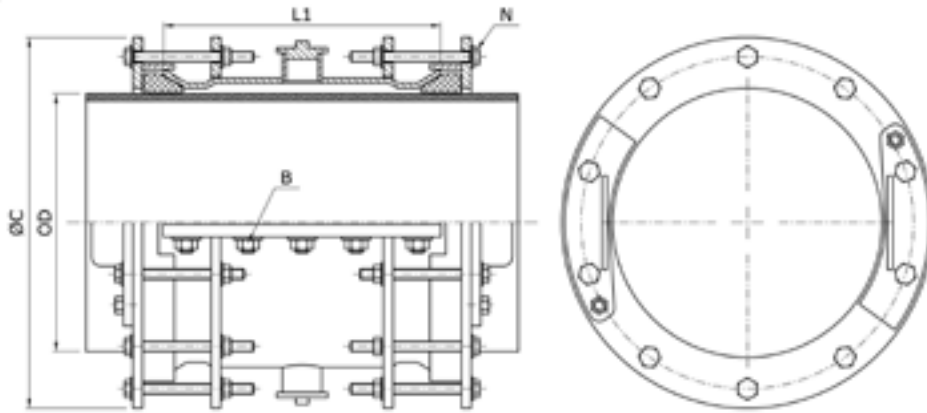


DUOFIT D20-D

DOUBLE BOLT STRAIGHT VERSION



Straight version Duofit **D20** for repairs on damaged pipes (cracks, faulty weldings, corrosion, etc.) with no service interruption on pipes of any diameter. Can also be used for hot tapping techniques on pipes of any material and diameter with running fluids.

Other sizes or ranges on request

DN	Ø D		MOP (PN)	L1	Max. External Dimension Ø C	No. Flange Bolts N	No. Lateral Plates Bolts B	Weight
	Min.	Max.						
300	320	350	6-10-16	435	513	16	12	118
	350	370	6-10-16		533	20		125
350	360	390	6-10-16		553			24
	400	420	6-10-16		583	28		
400	410	440	6-10-16		603			32
	450	465	6-10-16		628	36		
450	435	490	6-10-16		653			40
	490	520	6-10-16		683	44		
500	510	540	6-10-16		703			48
	535	565	6-10-16		728	52		
500	560	590	6-10-16		753			56
	590	620	6-10-16		783	60		
600	620	650	6-10-16		813			64
	645	675	6-10-16		838	68		
600	670	700	6-10-16		863			72
	695	725	6-10-16		888	76		
700	720	750	6-10-16		913			80
	750	780	6-10-16		943	84		
700	780	810	6-10-16		973			88
	835	865	6-10-16		1028	92		
800	860	890	6-10-16		1053			96
	895	925	6-10-16		1088	100		
900	925	955	6-10-16		1118			104
	955	985	6-10-16		1148	108		
900	985	1015	6-10-16	1178	112		273	
	1000	1030	6-10-16	1193		116	279	
1000	1030	1060	6-10-16	1223	120		285	
	1060	1090	6-10-16	1253		124	291	
1100	1080	1110	6-10-16	1273	128		297	
	1100	1130	6-10-16	1293		132	301	
1100	1130	1160	6-10-16	1323	136		308	
	1160	1190	6-10-16	1353		140	314	
1200	1185	1215	6-10-16	1378	144		320	
	1205	1235	6-10-16	1398		148	325	
1200	1235	1265	6-10-16	1428	152		333	
	1300	1330	6-10-16	1493		156	339	
1300	1335	1365	6-10-16	1528	160		359	
	1385	1415	6-10-16	1578		164	366	
1400	1410	1440	6-10-16	1603	168		376	
	1440	1470	6-10-16	1633		172	384	
1500	1510	1540	6-10-16	1703	176		390	
	1585	1615	6-10-16	1778		180	407	
1600	1610	1640	6-10-16	1803	184		422	
	1650	1680	6-10-16	1843		188	431	
1800	1825	1855	6-10-16	2018	192		439	
	1860	1890	6-10-16	2053		196	488	
2000	2020	2050	6-10-16	2213	200		495	
	2065	2095	6-10-16	2258			536	
							545	

This chart is for indicative purposes. Nova Siria srl can vary the indicated standards (tolerance range, dimensions and materials) according to specifications requested by Customers or to designing needs.