

## For PE and PVC pipes:

PN10/PN16 (DIN 8074, 8061/8062)

## For potable water

Order No.	Threaded connection	Pipe external diameter [mm]*				
		75	90	110	160	225
<b>5270</b>	1"	○	●	●	●	●
	1 1/4"	○	●	●	●	○
	1 1/2"	○	○	●	●	○
	2"	●	●	●	●	●

○ Upon request

\* For 63mm diameter pipes, see HAKU pipe drilling saddle (page F 3/1)

## Design features:

- Robust design of ductile iron with epoxy powder coating
- Bolts, nuts and washers are made of Class A2 stainless steel
- The drilled hole is sealed with the O-ring mounted in the top section saddle
- The saddle lower section is provided with a glued-on rubber gasket

## Material:

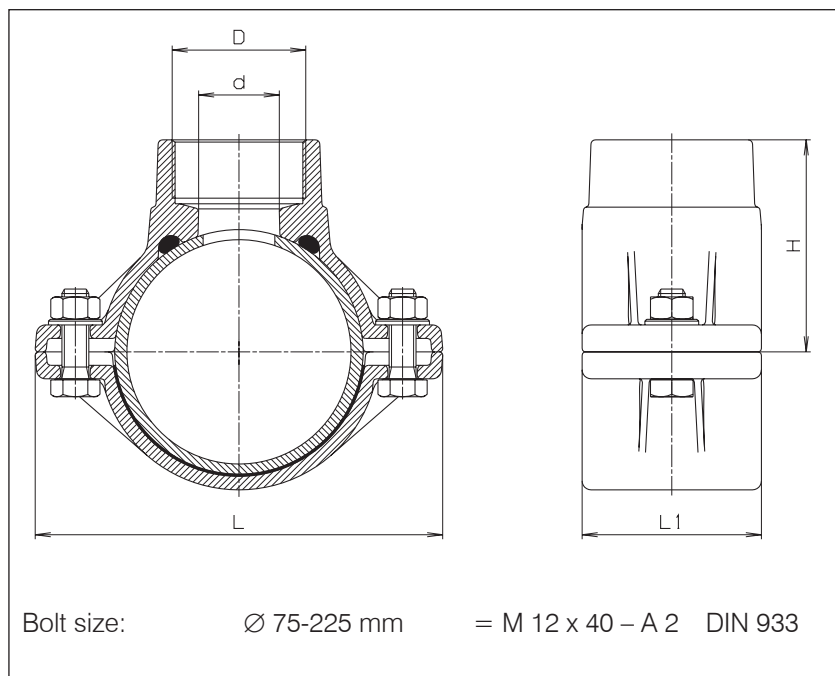
- **Saddle body:** ductile iron EN-GJS-400-18, according to EN 1563 (GGG 400 - DIN 1693), with epoxy powder coating
- **Rubber gasket:** EPDM
- **O-ring:** EPDM
- **Bolts, nut and washers:** Class A2 stainless steel
- **Nuts:** treated with molybdenum sulphide



# HAWEX – Pipe drilling saddle

č. 5270

## HAWEX – Pipe drilling saddle with thread outlet



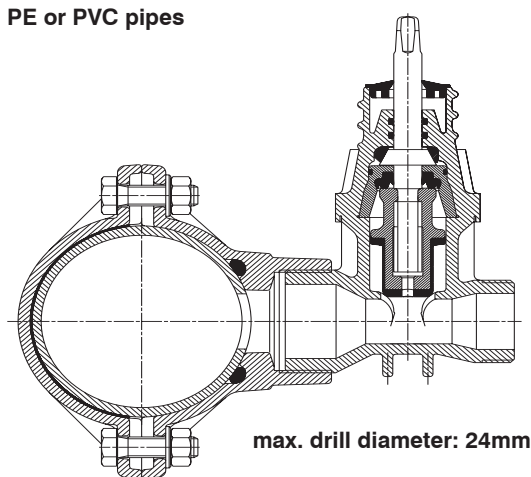
Outside diameter	D	d	L	L 1	H	Weight [kg]
75	2"	42	148	80 80	77	2,00
90	1"	30	162	80	74	1,95
	1 1/4"	35	162	80	82	1,90
	2"	42	162	80	85	2,00
110	1"	30	182	80	84	2,25
	1 1/4"	35	182	80	92	2,30
	1 1/2"	42	182	80	92	2,30
	2"	42	182	80	95	2,30
160	1"	30	228	80	109	2,70
	1 1/4"	35	228	80	117	2,70
	1 1/2"	42	228	80	117	2,75
	2"	42	228	80	120	2,80
225	1"	30	295	100	141	4,75
	2"	42	295	100	152	4,95

## EXAMPLE OF USE : HAWEX – Pipe drilling saddle for house service valves

- Pipe drilling saddle HAWLE HAWEX with connecting female thread 2" is fixed to the PE or PVC pipe.
- ISO-combined drilling HAWLE tapping valve DN 1" - No. 2681 (made from POM) is fixed (please, ask for special leaflet).
- Drilling through the open tapping valve using the HAWLE drilling instrument No. 5800 or No. 5805 (please, ask for special leaflet).
- Once the drilling operation is completed, pull the drill out.
- Close the tapping valve.
- Screw the selected HAWLE ISO-connecting fitting on - No. 6221 for PE pipes, diameters: 25, 32, 40, 50, and 63mm.
- Then push the PE pipe on - and that's it!

### Suitable for drilling under pressure

PE or PVC pipes



connection to a PE pipe

