

TRG  
line



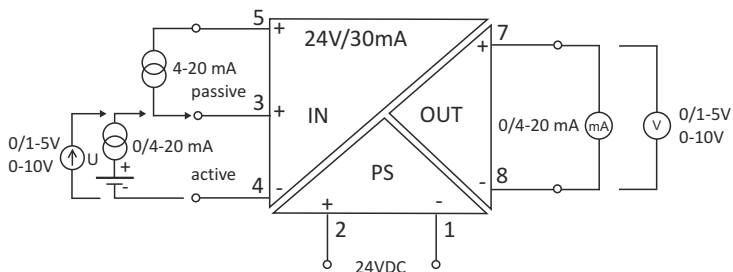
## SGZ-22

- two output circuits isolator / multiplier
- free input and output standard
- two separated output tracks
- additional 24V DC supply to power two-wire transmitters
- full galvanic isolation between input/output/supply circuits with the translation
- TS-35 DIN rail mounting

Isolators / multipliers **SGZ-22** type are dedicated for providing galvanic isolation between input circuit and multiplied output circuits. They also can supply two-wire 4-20 mA transmitters. Input signal can be converted into two different output signals. Device is powered from 21 - 28V DC supply. Input, output and supply circuits are mutually galvanic isolated. The using of isolators/multipliers allows to reduce the impact of interference and ground potential difference. It also helps to put together different types of signals (0÷5 mA, 0÷20 mA, 4÷20 mA, 0÷5V, 0÷10V, 1÷5V).

### TYPICAL CONNECTIONS

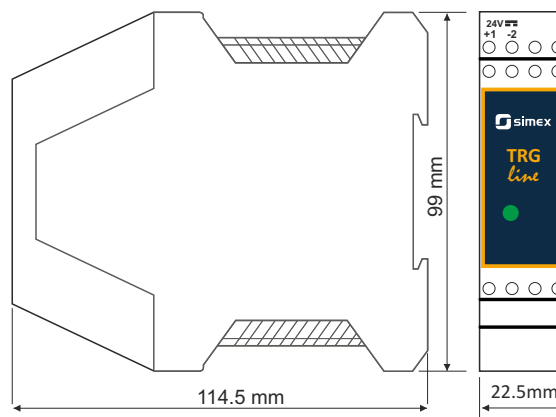
Galvanic isolation between input / output / power supply circuits



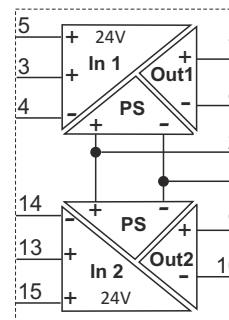
### TECHNICAL DATA

Power supply	21 ÷ 28 V DC
Input signal	current: 0/4 ÷ 20 mA, resistance 50 Ω, 0 ÷ 5 mA, resistance 200 Ω voltage: 0/1 ÷ 5 V, 0 ÷ 10 V: resistance ≥ 100 kΩ
Output signal	current: 0/4 ÷ 20 mA, resistance 50 Ω, 0 ÷ 5 mA, resistance 200 Ω voltage: 0/1 ÷ 5 V, 0 ÷ 10 V: resistance ≥ 100 kΩ
Additional supply	24V DC / 30 mA for 4-20 mA two-wire transmitters
Load resistance	current: 0/4 ÷ 20 mA, resistance 0 ÷ 750 Ω, 0 ÷ 5 mA, resistance 0 ÷ 3 kΩ voltage: ≥ 2 kΩ error: -0.05% / 750 Ω
Galvanic isolation	2 kV, capacity between circuits < 10 pF
Accuracy	±0.1%
Time constant	0.1s (on request 0.01s ÷ 1s)
Temperature drift	±0.01% / °C
Nonlinearity	±0.05%
IP protection	IP 20
Operating temperature	-20°C ÷ +60°C
Dimensions (WxHxD)	22.5 x 99 x 114.5 mm
Mounting	TS-35 DIN rail

### CASE DIMENSIONS



### PIN ASSIGNMENT



### ORDERING

SGZ-22-XX-XX-2-3-001

<b>input 1:</b>		<b>output 1:</b>	<b>output 2:</b>
1 : 0 - 5 mA		1 : 0 - 5 mA	0 : no output
2 : 0 - 20 mA	<b>input 2:</b>	2 : 0 - 20 mA	1 : 0 - 5 mA
3 : 4 - 20 mA	0 : no input	3 : 4 - 20 mA	2 : 0 - 20 mA
4 : 0 - 5 V	1 : 0 - 5 mA	4 : 0 - 5 V	3 : 4 - 20 mA
5 : 0 - 10 V	2 : 0 - 20 mA	5 : 0 - 10 V	4 : 0 - 5 V
6 : 1 - 5 V	3 : 4 - 20 mA	6 : 1 - 5 V	5 : 0 - 10 V
	4 : 0 - 5 V		6 : 1 - 5 V
	5 : 0 - 10 V		
	6 : 1 - 5 V		

#### Ordering examples:

**SGZ-22-23-33-2-3-001**

2-tracks isolator, in. 1: 0-20mA, in. 2: 4-20mA, out. 1: 4-20mA, out. 2: 4-20mA

**SGZ-22-10-33-2-3-001**

Multiplier, in. 1: 0-5mA, out. 1: 4-20mA, out. 2: 4-20mA