

UNIVERSAL SHUT-OFF SADDLE

For steel, ductile iron and asbestos cement pipes



Design features

- For under pressure drilling
- Can be pressure tested from both directions
- Solid body
- Flexible padded wrap around strap for easy installation
- Favorable angle of contact
- Optimum force transfer of the strap screw connection through strap and cylinder disks as bolt contact area
- The saddle seal is moulded to fit the pipe diameter and is prefixed in the saddle body
- All internal threads are fitted with a corrosion protection ring to prevent corrosion and incrustations

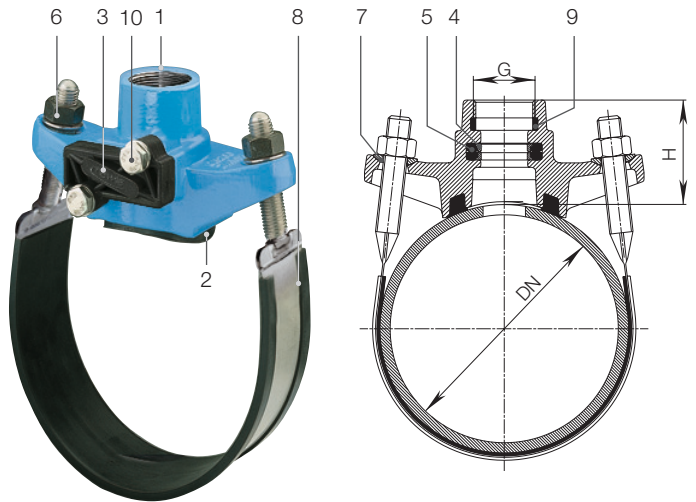
Material | Technical features

- Saddle body** made of ductile iron, epoxy powder-coated
- Saddle seal** and **seal** for intermediate shut-off made of elastomer
- Cover** made of POM, fiber glass reinforced (with rubber seal)
- O-ring carrier** made of POM
- Nuts** made of stainless steel (Molybdenum-coated)
- Ball disc** made of stainless steel
- Strap** of passivated stainless steel, strength 1,5 with insulating elastomer **rubber padding**
- Corrosion protection ring** made of elastomer
- Hexagonal screws** and **washers** made of stainless steel
 - Drilling instructions (see page I 3/1)

Suitable accessories

Drilling machine: No. 5800, No. 5805
Saddle blade No. 8401

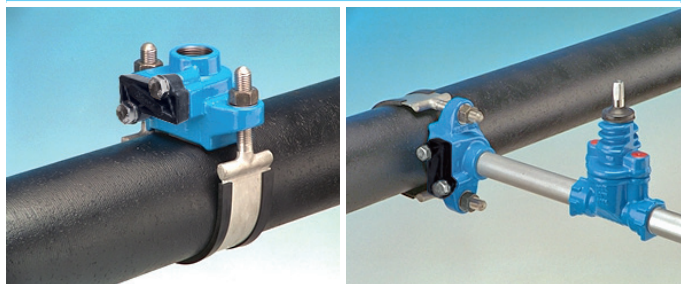
No. 3800



Order No.	Internal thread ISO 228	MOP (PN)	Dimension/DN													
			50	65	80	100	125	150	200	250	300	350	400	450	500	600
3800	1"	16														
	1 1/4"															
	1 1/2"															
	2"															

Please specify pipe material on order

Application examples



Order No.	Internal thread ISO 228 G		Dimension/DN													
			50	65	80	100	125	150	200	250	300	350	400	450	500	600
3800	1"	Weight	2,10	2,10	2,10	2,70	3,10	3,20	4,00	4,60	4,70	7,00			8,00	8,60
		H	67	68	69	69	70	70	80	82	82	78			78	78
	1 1/4"	Weight	2,10	2,10	2,70	2,70	2,75	3,30	4,10	4,70	4,70				8,00	
		H	70	71	72	72	73	73	80	82	82				78	
	1 1/2"	Weight			3,00	3,00	3,60	3,70	4,30	4,90	4,90	7,00	7,40		8,10	9,00
		H			73	73	74	74	80	82	82	78	78		78	78
	2"	Weight			3,10	3,10	3,00	3,80	4,60	5,30	5,40	7,70	8,00	8,30	8,60	9,00
		H			78	78	78	78	81	83	83	78	78	78	78	78