

s16 litterbin



Above, grey painted panels with silver decal and silver painted centre frame.

Right, recycling and general waste s16 litterbins, painted green and grey respectively with white decal.



description

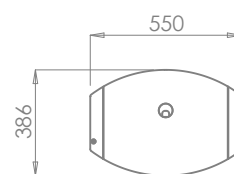
3 and 4mm s355 steel hot dipped galvanized throughout, powder coated finish on panels. Omos patented ashtray. Front opening with concealed stainless steel hinge and slam latch.

dimensions

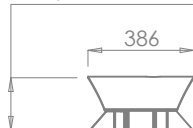
Height 1172mm, width 550mm, depth 386mm.
Capacity 115L.
Weight 85Kg.

options

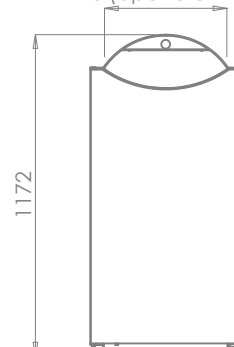
Painted centre frame.
Galvanized or plastic liner.
Choice of colours.
Choice of decal.



191 (aperture height)



446 (aperture width)



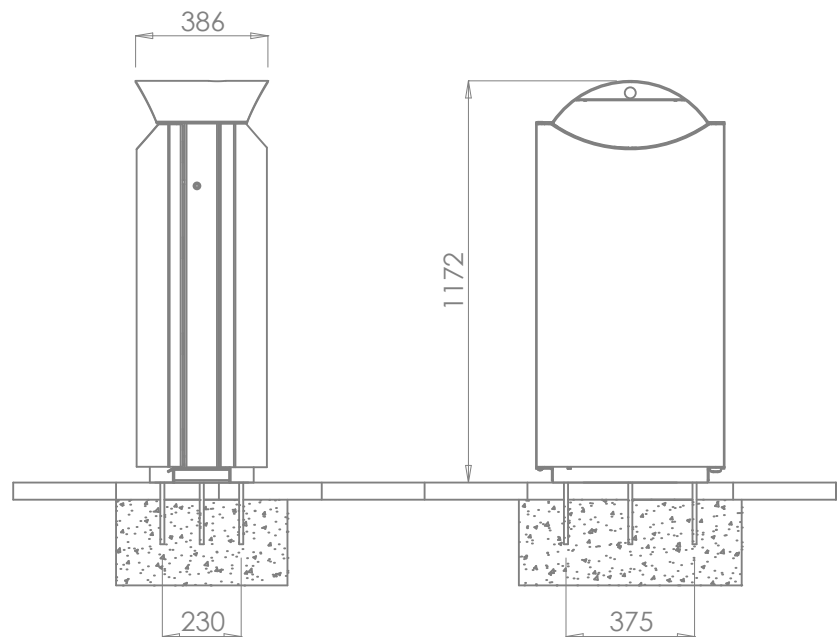
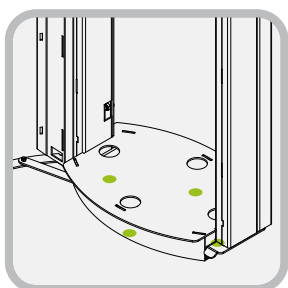
s16 Fixing Instructions

(for areas already paved)

- 1 Determine the location for the bin. Remove pavers and excavate a hole to minimum dimensions of L600 x W600 x D400mm. The size of the foundation may vary depending on the ground conditions.
- 2 Fill the hole with 35N20 concrete up to 15mm below the level of the underside of the pavers ensuring a good smooth surface finish.
- 3 Allow sufficient time for the concrete to set then apply a layer of dry sand/cement mix over the pad. Compact and adjust to bring this to the level of the underside of the paving.
- 4 Replace the paving slabs and ensure that they are well bedded in.
- 5 Place the bin in the desired location and mark through the fixing holes making sure this is done accurately.
- 6 Drill through pavers into the concrete pad. Drill following fixing manufacturer's instructions to suit the chosen fixing. Use M12 through bolts to fix (such as Hilti HSA M12 x 180).
- 7 Tighten the levelling base.
- 8 Lift the bin into place and tighten the nuts.

Foundations

The bin can be fixed directly to a concrete slab or to concrete pads beneath paving stones. Foundations must be to engineer's specification.



Right and above, fixing details.

s16 Care and Maintenance Guidelines

The s16 litterbin is constructed from s355 galvanized steel, a material which is highly corrosion resistant. Despite the material's corrosion resistant properties some care is required to maintain a bright appearance.

The extent to which cleaning is required will depend on a number of factors including environmental conditions, construction activity and level of use.

Maintaining the painted galvanized steel

The s16 is finished in polyester powder, a plastic coating which is baked onto the components prior to assembly. This is a highly durable finish which will last for many years.

To maintain the original appearance of the metalwork it should be cleaned regularly using warm soapy water. Avoid the use of abrasive cleaners as they may damage the surface finish. Should the paint become chipped or scratched it can be touched up using acrylic based paint.

If the damage has penetrated the galvanized coating the area should be cleaned with a wire brush and a zinc rich primer should be applied prior to the top coat. For further advice contact Omos on + 353 45 899802.

Liner

The s16 litterbin is equipped with a heavy duty plastic or galvanized steel liner. To prolong the life of the liner Omos recommends using plastic bin liners. This will also prevent seepage of liquids onto the surrounding pavement.

Locks, hinges and other moving parts

All moving parts should be kept clean and lubricated to ensure a long life. A spray lubricant such as 'WD40' is widely available and well suited.



Right, painted panels with silver decal.