

## ISO-POWER insulation amplifiers

**General** ISO-POWER insulation amplifiers is used for galvanic separation of measuring circuits and supply of 2-wire and 3-wire transmitters.

**Features** ISO-POWER is supplied in two versions; *Panel* for DIN-rail mounting and *Field* for local mounting. Additionally, the Field-version can be equipped with a display for local indication. On both versions it is possible to fine-adjust both zero / span and also the damping of the output signal.

ISO-POWER insulation amplifiers is used for galvanic separation of electrical measuring systems, and supplies the measuring circuit at the same time, thus saving a separate power supply. ISO-POWER insulation amplifiers can be used with advantage to:

- avoid short circuit between measuring circuits
- eliminate coupling of potentials from liquids, amplifiers and PLC's, which can cause disturbances on analytic measurements for pH, redox and conductivity
- ease fault finding because a galvanic insulation will delimit the wiring
- reduce or eliminate damages caused by overvoltage so only a few and not all components will be destroyed
- reduce interference caused by electric noise. ISO-POWER has adjustable damping of the output signal.



ISO-POWER Panel for DIN-rail mounting



ISO-POWER Field for local mounting



ISO-POWER Field for local mounting equipped with type 531 display insert (option)

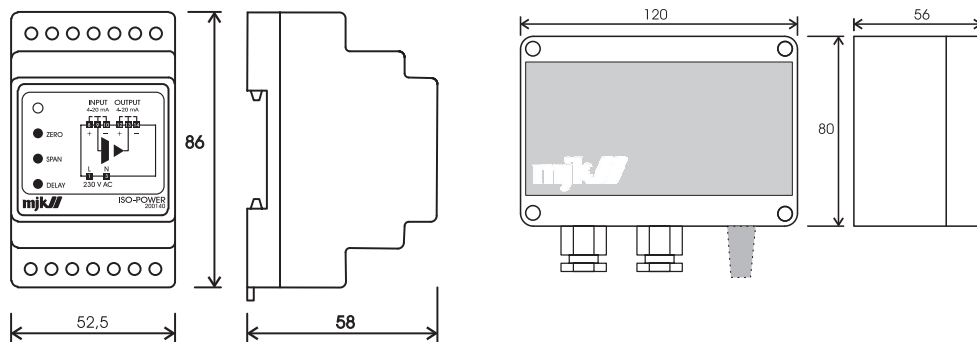
6.4

### Specifications

Part number:	200135	200136	200140
Programming connector: ①	No	Yes	No
Air filter:	No	Yes	
Mounting:	Local	Local	DIN-rail
Supply:	15 - 35 V DC	15 - 35 V DC	230 V AC, 50-60 Hz
Output signal:	4-20 mA, 2- or 3-wire, max. 500 Ω		
Input signal:	4-20 mA, 2-wire or 3-wire		
External supply:	15 V DC, 80 mA max.		
Temperature range:	-20 ... +60 °C		
Material:	Makrolon	Makrolon	Lexan/Noryl
Enclosure:	IP 65	IP 65	IP 22
CE-approvals:	EN50081-1, EN50082-1		
Display insert:	See separate data sheet 6.3 for specifications		
<b>Accessories:</b>	Type 532 loop-supplied display for panel mounting,	part no. 200121	
	Type 531 display insert for ISO-POWER Field,	part no. 200126	
	Type 533 230 V AC display w. 24 V DC transmitter supply (panel mounting),	part no. 200130	

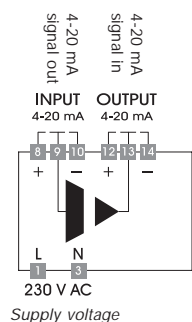
① The programming connector is used for programming of MJK pressure transmitter with MJK programming unit, part no. 202926.

Dimensions

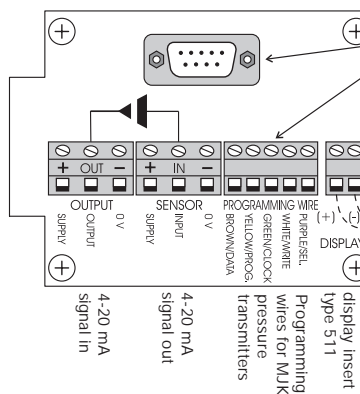


Connections

ISO-POWER Panel



ISO-POWER Field



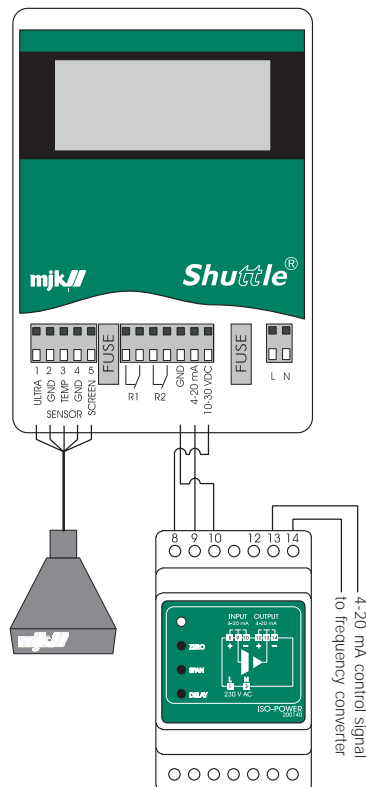
Type 531 display insert (option)



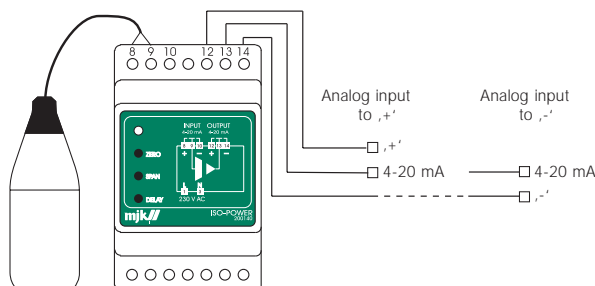
- ① Programming plug and terminals only on part no. 200136.
- ② Red wire to '+', Black wire to '-'.

Application examples

Supply and connection of Shuttle® level sensor via ISO-POWER Panel to frequency converter



Connection of pressure transmitter to PLC via ISO-POWER Field



Connection of pressure transmitter via ISO-POWER Field to 704 P pump controller

