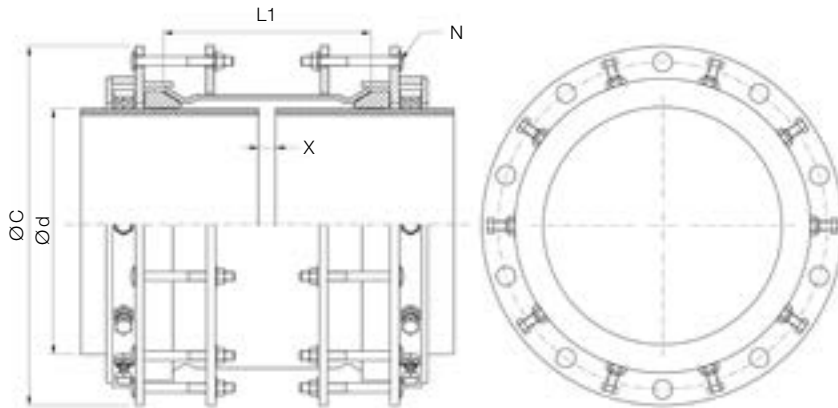


MULTIGRIP MGR-D PN10

DOUBLE BOLT COUPLING



PN 10 RATED HYDRAULIC SEALING AND END RESTRAINT SYSTEM

Other sizes or ranges on request

DN	Ø d		L1	Max. External Dimension Ø C	Compression Bolts	Gap X		Weight	
	Min.	Max.			Quantity N	Max.	Min.		
350	340	370	355	560	18	220	25	127	
	360	390		580				133	
400	385	415		600				144	
	415	445		640				148	
450	440	470		660				24	163
	465	495		680					170
500	490	520		720	177				
	515	545		740	184				
560	545	575		788	28			207	
	600	595		625	808			30	222
615		645		828	228				
700	695	725		908	36			254	
	720	750		933				284	
800	785	815		998				40	304
	795	825		1008					307
	825	855		1038					347
900	885	915		1098				44	367
	900	930		1113	372				
1000	930	960	1143	48	386				
	985	1015	1198		404				
	1000	1030	1213		409				
1100	1030	1060	1243	60	447				
	1100	1130	1313		471				
	1135	1165	1348		499				
1200	1185	1215	1398	64	517				
	1205	1235	1418		525				
	1240	1270	1453		542				
1400	1385	1415	1598	64	-				
	1405	1435	1618		-				
	1445	1475	1658		-				

The data concerning the min. and max. gap is calculated on the minimum outside diameter of the product's range
 This chart is for indicative purposes. Nova Siria srl can vary the indicated standards (tolerance range, dimensions and materials) according to specifications requested by Customers or to designing needs.
 NOVA SIRIA end restraint fittings are suitable for the following pipes: steel, ci/DI, PE, pressure PVC.
 All end restraint fittings installed on pe Or pressure PVC Pipes must be integrated with an internal reinforcing liner provided or approved by noVA SIRIA.