



DESCRIPTION

An illuminated, single piece moulded retro-reflective bollard, combining a bespoke polymer base light with a patented dust seal that reduces light depreciation over time.



BS8442

CONSTRUCTION

Body

Single piece, rotationally moulded using UV stabilised flexible polyethylene with easy clean surface treatment, incorporating 300mm diameter aspect in microprismatic retro-reflective material.

Bespoke base light

Enclosure

Rotomoulded in rigid polyethylene. 2 x 25mm IP68 nylon cable glands to suit 9-14mm or 13-18mm cables through side entry.

Lens

Injection moulded clear polycarbonate.

Light Unit

4 x 1W optically engineered lens system achieving L1 with a CRI 80 LED.

Fuse Board

250mm x 160mm 12.5mm thick non-hygroscopic plywood bolted to the bottom of the base.

Mounting

Internally tapped 12mm bolt down 316 stainless steel "u" bolts.

OPTIONAL CONTROL/SWITCHING

Photocells
240/24V

Central Management Systems
240V

PACKAGING

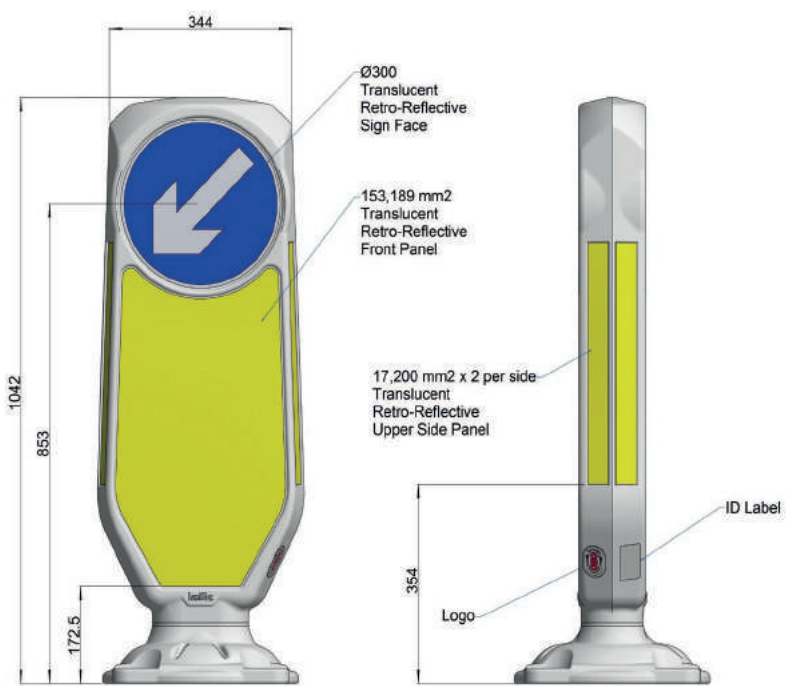
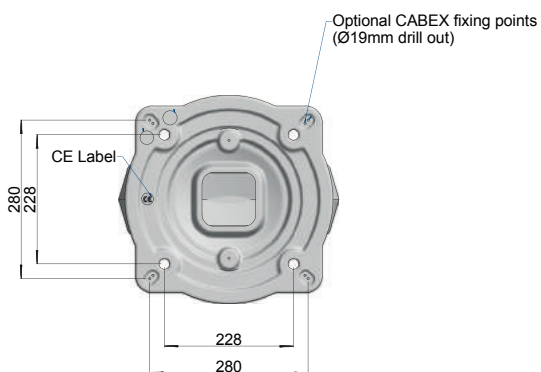
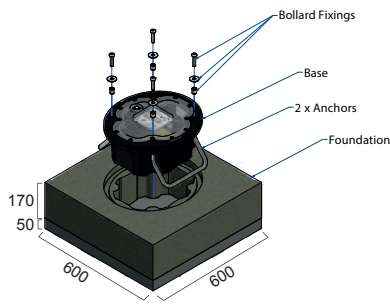
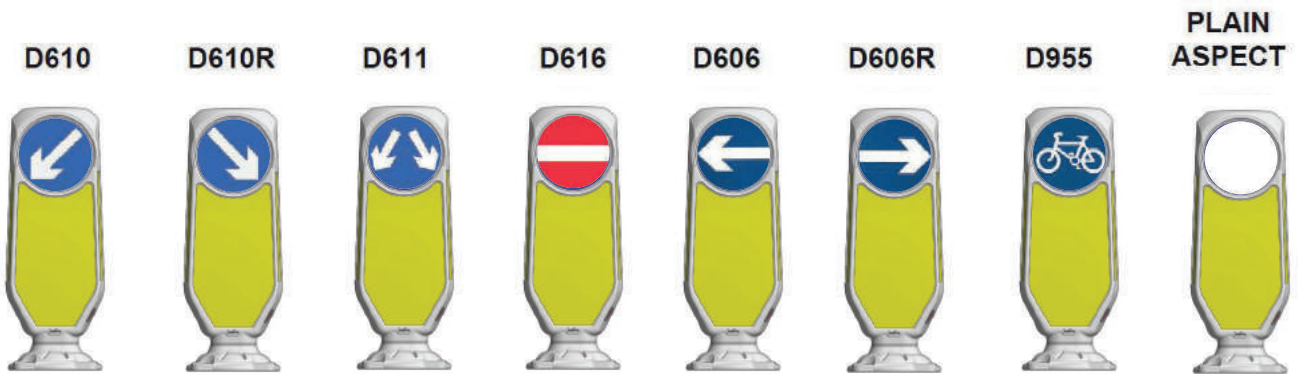
Product	Weight	Packing	Dimensions	Pack Quantity
Bollard	7KG	Bag	39 x 37 x 104cm	1
Base	5.2KG	Carton	42.5 x 41 x 25.5cm	1

Further advice on the Lumiflex including specific installation requirements is available from IPL group. Measurements and weights are approximate. The designs are the property of Innovative Products Ltd (IPL group) and may not be reproduced without express permission. Innovative Products reserve the right to amend specifications or to withdraw models without prior notice. © November 2016.



LED		
Voltage	230V	24V
Light Source	4 X 1W	4 X 1W
Power(W)*	5W	9W
Compliance	L1	L1
Warranty (yr)	5	5

*For UMSUG codes please see our website



*All dimensions in mm.

Further advice on the Lumiflex including specific installation requirements is available from IPL group. Measurements and weights are approximate. The designs are the property of Innovative Products Ltd (IPL group) and may not be reproduced without express permission. Innovative Products reserve the right to amend specifications or to withdraw models without prior notice. © November 2016.

