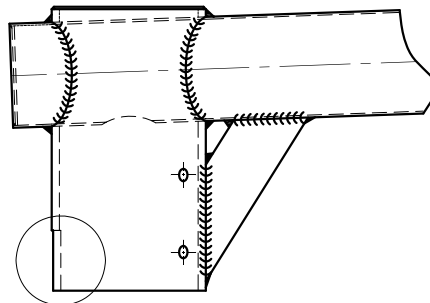
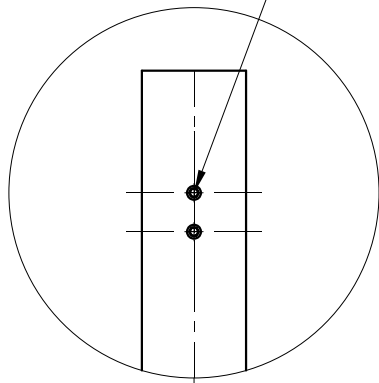
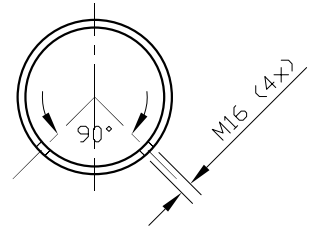
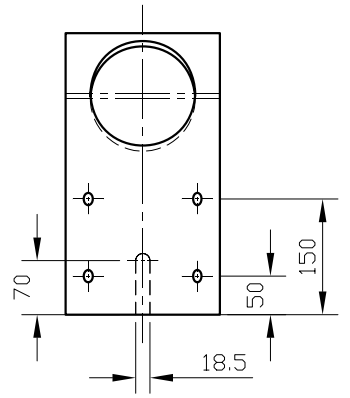




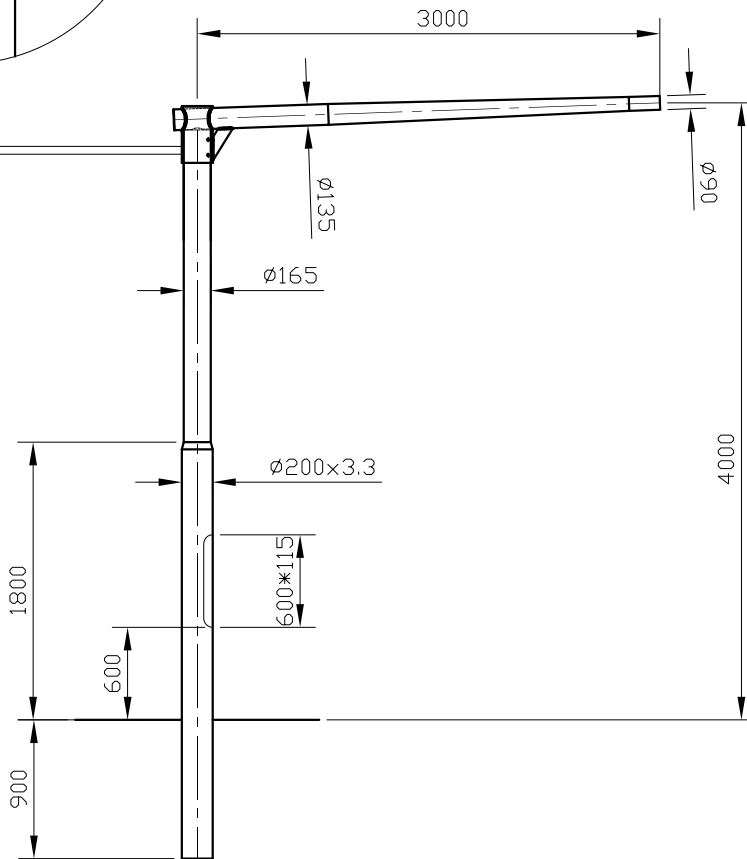
Mount:  
 2x Hexagon head cap screw M12  
 4x Washer M12  
 2x Hexagon nut M12



Slot for the M12 screws



Detail Top



ITEMNO.	QUANTITY	DESCRIPTION	MATERIAL	DIMENSIONS	REMARKS		
					<b>Sapa Pole Products</b> Alcoalaan 1 - 5151 RW Drunen Postbus 75 - 5150 AB Drunen Tel/Fax: +31(0)416-386100/230		
<small>THIS DRAWING REMAINS PROPERTY OF SAPA POLE PRODUCTS IN DRUNEN AND MAY WITHOUT PERMISSION OF THE OWNER NOT BE MULTIPLIED, BE USED FOR THIRD PARTIES OR BE GIVEN TO THIRD PARTIES FOR PERUSAL.</small>		<small>AM.PROJ.</small> 	<small>SURFACE ROUGHNESS CENTER LINE AVERAGE RA (CLA) IN µM BY ISO1302</small> 	<small>DIMENSIONS TOLERANCES BY:</small> EN40	<small>DRAWN BY</small> MRe	<small>CHECKED BY (SIGNATURE)</small> 	<small>SCALE</small> 1:50
		<small>FORMAT</small> <b>A4</b>	<small>REMARK -</small> TITLE Cantilever 4.0 m	<small>MATERIAL</small> EN AW-6060 T66	<small>DATE</small> 14-12-11	<small>DRAWINGNUMBER</small> V111207P	<small>MODE</small> -