

# Shannon hoop bicycle stand

fixed & removable installation options

041-9832591 | info@ipl.ie | www.iplgroup.com

*Contemporary hoop design bicycle stand  
suitable for new bicycle path developments  
and upgrades of existing streetscapes.*

## features...

Strong stainless steel construction (316 grade) with brushed finish as standard. This bicycle stand is removable when used with RS76 socket.

## options...

Galvanised steel version  
RS socket (for removable & locking option)



## THE INTELLIGENT FOUNDATION FOR POST INSTALLATION

Versatility & foresight:

*Specifying the use of RS sockets anticipates the  
expected installation demands, maintenance needs  
and lifecycle of the post.*

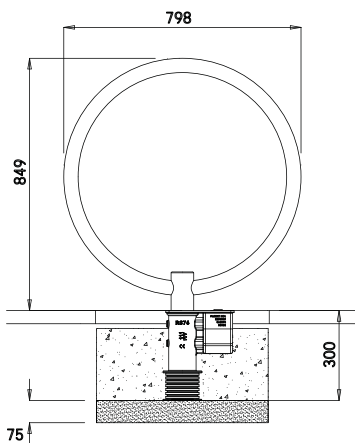
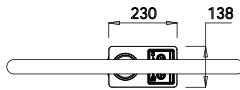
[www.retention-system.com](http://www.retention-system.com)



Shannon hoop bicycle stand

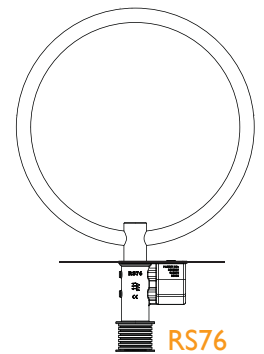


RS76x300



RS76

*Shannon Hoop bicycle  
stand (s37), made  
exclusively for IPL group  
by street furniture  
designers and  
manufacturers OMOS.*



RS76

design | identity | security

Shannon hoop bicycle stand (code) s37

MADE IN IRELAND

Height (above ground): 849mm

Depth (below ground): 300mm

Diameter (core post): Ø76mm

Length: 798mm

RS socket option: RS76

Further advice on the RETENTION SYSTEM and Rivers street furniture including specific installation requirements is available from IPL group. Measurements and weights are approximate. The designs are the property of Innovative Products Ltd (IPL group) and may not be reproduced without express permission. Innovative Products reserve the right to amend specifications or to withdraw models without prior notice. © September 2013.

