

## Flow Measurement

### SITRANS F M

#### Flow sensor MAG 5100 W

##### Overview



The SITRANS F M MAG 5100 W is an electromagnetic flow sensor designed to meet ground water, drinking water, waste water, sewage or sludge applications.

##### Benefits

- DN 15 to DN 1200 / 2000 (½" to 48"/78")
- Stock program of MAG 5100 W secures short delivery time
- Connection flanges EN 1092-1 (DIN 2501), ANSI, AWWA, AS and JIS.
- NBR Hard Rubber and Ebonite Hard Rubber liner for all water applications
- EPDM liner with drinking water approvals
- Hastelloy integrated grounding and measuring electrodes
- Increased low flow accuracy for water leak detection, due to coned liner design (Article No. 7ME6520, DN 15 to 300 mm (½" to 12")).
- Drinking water approvals
- Suitable for direct burial and constant flooding
- Custody transfer approvals
- Build-in length according to ISO 13359; the standard includes sizes up to DN 400.
- Easy commissioning, SENSORPROM unit automatically uploads calibration values and settings.
- Designed so patented in-situ verification can be conducted. Using SENSORPROM fingerprint.
- Custody Transfer option for water billing, with type approval after OIML R 49 and verified according to MI-001 - OD inlet/OD outlet installation
  - pattern approval OIML R 49 (Denmark, Germany)
  - conforms to ISO 4064 and EN 14154 for mechanical flowmeters
  - PTB K7.2
- FM Fire Service Meter (Class Number 1044) for automatic fire protection systems
- Meets EEC directives: PED, 97/23/EC pressure directive for EN1092-1 flanges
- Simple onsite or factory upgrade to IP68/NEMA 6P of a standard sensor
- MCERTS approval for UK environmental market

##### Application

The main applications of the SITRANS F M electromagnetic flow sensors can be found in the following fields:

- Water abstraction
- Water treatment
- Water distribution network (leak detection management)
- Custody transfer water meters
- Irrigation
- Waste water treatment
- Filtration plant (e.g. reverse osmosis and ultra filtration)
- Industrial water applications

##### Mode of operation

The flow measuring principle is based on Faradays law of electromagnetic induction according to which the sensor converts the flow into an electrical voltage proportional to the velocity of the flow.

##### Integration

The complete flowmeter consists of a flow sensor and an associated transmitter SITRANS F M MAG 5000, MAG 6000 or MAG 6000 I.

The flexible communication concept USM II simplifies integration and update to a variety of fieldbus systems, e.g. HART, DeviceNet, PROFIBUS DP and PA, FOUNDATION Fieldbus H1 or Modbus RTU/RS 485.

## Technical specifications

Product characteristic	MAG 5100 W (7ME6520) Mainly for the European market EPDM or NBR lining	MAG 5100 W (7ME6580) Mainly for the non-European market Ebonite lining
Design and nominal size	Coned sensor (octagon liner): DN 15 ... 40 (½" ... 1½") Coned sensor: DN 50 ... 300 (2" ... 12") Full bore sensor: DN 350 ... 1200 (14" ... 48")	Full bore sensor: DN 25 ... 2000 (1" ... 78")
<b>Measuring principle</b>	Electromagnetic induction	Electromagnetic induction
Excitation frequency (Mains supply: 50/60 Hz)	DN 15 ... 65 (½" ... 2½"): 12.5 Hz/15 Hz DN 80 ... 150 (3" ... 6"): 6.25 Hz/7.5 Hz DN 200 ... 300 (8" ... 12"): 3.125 Hz/3.75 Hz DN 350 ... 1200 (14" ... 48"): 1.5625 Hz/1.875 Hz	DN 25 ... 65 (1" ... 2½"): 12.5 Hz/15 Hz DN 80 ... 150 (3" ... 6"): 6.25 Hz/7.5 Hz DN 200 ... 1200 (8" ... 48"): 3.125 Hz/3.75 Hz DN 1400 ... 2000 (54" ... 78"): 1.5625 Hz/1.875 Hz
<b>Process connection</b>		
Flanges <sup>1)</sup>		
• EN 1092-1	PN 10 (145 psi) : DN 200 ... 300 (8" ... 12") Flat face PN 10 (145 psi): DN 350 ... 1200 (14" ... 48") Raised face <sup>2)</sup> PN 16 (232 psi): DN 50 ... 300 (2" ... 12") Flat face <sup>3)</sup> PN 16 (232 psi): DN 350 ... 1200 (14" ... 48") Raised face PN 40 (580 psi): DN 15 ... 40 (½" ... 1½") Flat face	Raised face <sup>3)</sup> (EN 1092-1, DIN 2501 and BS 4504 have the same mating dimensions) PN 6 (87 psi): DN 1400 ... 2000 (54" ... 78") PN 10 (145 psi): DN 200 ... 2000 (8" ... 78") PN 16 (232 psi): DN 65 ... 600 (2½" ... 24") PN 40 (580 psi): DN 25 ... 50 (1" ... 2")
• ANSI B16.5	Class 150: ½" ... 12" flat face; 14" ... 24" raised face	Class 150: 1" ... 24"; raised face
• AWWA C-207	Class D: 28" ... 48", flat face	Class D: 28" ... 78", flat face
• AS4087	PN 16 (DN 50 ... 1200), (2" ... 48") 16 bar (232 psi)	PN 16 (DN 50 ... 1200), (2" ... 48") 16 bar (232 psi)
• JIS B 2220:2004	-	K10 (1" ... 24")
<b>Rated Operation conditions</b>		
Ambient temperature		
• Sensor	-40 ... +70 °C (-40 ... +158 °F)	-20 ... +70 °C (-4 ... +158 °F)
• With compact transmitter MAG 5000/6000 <sup>4)</sup>	-20 ... +60 °C (-4 ... +140 °F)	-20 ... +60 °C (-4 ... +140 °F)
Operating pressure (Abs) [abs. bar] (Maximum operating pressure depending on flange standard, decreases with increasing operating temperature)	DN 15 ... 40 (½" ... 1½"): 0.01 ... 40 bar (0.15 ... 580 psi) DN 50 ... 300 (2" ... 12"): 0.03 ... 20 bar (0.44 ... 290 psi) DN 350 ... 1200 (14" ... 48"): 0.01 ... 16 bar (0.15 ... 232 psi)	DN 25 ... 50 (1" ... 2"): 0.01 ... 40 bar (0.15 ... 580 psi) DN 65 ... 1200 (2½" ... 48"): 0.01 ... 16 bar (0.15 ... 232 psi) DN 1400 ... 2000 (54" ... 78"): 0.01 ... 10 bar (0.15 ... 145 psi)
Enclosure rating		
• Standard	IP67 to EN 60529/NEMA 4X/6 (1 mH <sub>2</sub> O for 30 min)	IP67 to EN 60529/NEMA 4X/6 (1 mH <sub>2</sub> O for 30 min)
• Option	IP68 to EN 60529/NEMA 6P (10 mH <sub>2</sub> O continuously)	IP68 to EN 60529/NEMA 6P (10 mH <sub>2</sub> O continuously)
Pressure drop	DN 15 and 25 (½" and 1"): Max. 20 mbar (0.29 psi) at 1 m/s (3 ft/s). DN 40 ... 300 (1½" ... 12"): Max 25 mbar (0.36 psi) at 3 m/s (10 ft/s) DN 350 ... 1200 (14" ... 48"): Insignificant	Insignificant
Test pressure	1.5 x PN (where applicable) FM Fire Service: 2 x PN	1.5 x PN (where applicable)
Mechanical load (vibration)	18 ... 1000 Hz random in x, y, z, directions for 2 hours according to EN 60068-2-36 Sensor: 3.17 g RMS Sensor with compact MAG 5000/6000 mounted transmitter: 3.17 g RMS Sensor with compact MAG 6000 I mounted transmitter: 1.14 g RMS	18 ... 1000 Hz random in x, y, z, directions for 2 hours according to EN 60068-2-36 Sensor: 3.17 g RMS Sensor with compact MAG 5000/6000 mounted transmitter: 3.17 g RMS Sensor with compact MAG 6000 I mounted transmitter: 1.14 g RMS

## Flow Measurement

### SITRANS F M

#### Flow sensor MAG 5100 W

Product characteristic	Mainly for the European market (7ME6520)	Mainly for the non-European market (7ME6580)
	EPDM or NBR lining	Ebonite lining
<b>Medium conditions</b>		
Temperature of medium		
• NBR	-10 ... +70 °C (14 ... 158 °F)	-
• EPDM	-10 ... +70 °C (14 ... 158 °F)	-
• EPDM/NBR (MI-001)	0.1 ... 30 °C (32 ... 76 °F)	-
• Ebonite	-	-10 ... +70 °C (14 ... 158 °F)
EMC	2004/108/EC	2004/108/EC
<b>Design</b>		
Material		
• Housing and flanges	Carbon steel ASTM A 105, with corrosion-resistant two-component epoxy coating (150 µm/300 µm) Corrosivity category C4, according to ISO 12944-2	Carbon steel ASTM A 105, with corrosion-resistant two-component epoxy coating (150 µm/300 µm) Corrosivity category C4, according to ISO 12944-2
• Measuring pipe	Stainless steel AISI 304/1.4301	Stainless steel AISI 304/1.4301
• Electrode	Hastelloy C	Hastelloy C
• Grounding electrode	Hastelloy C	Hastelloy C
• Terminal box	Fibre glass reinforced polyamide	Fibre glass reinforced polyamide
<b>Certificates and approvals</b>		
Calibration		
• Standard production calibration (default), calibration report shipped with sensor	Zero-point, 2 x 25 % and 2 x 90 %	Zero-point, 2 x 25 % and 2 x 90 %
• Special calibration	5-point calibration: 20 %, 40 %, 60 %, 80 %, 100 % of factory Q <sub>max</sub> 10-point calibration: ascending and descending at 20 %, 40 %, 60 %, 80 %, 100 % of factory Q <sub>max</sub> Matched-pair calibration: default, 5-point or 10-point	5-point calibration: 20 %, 40 %, 60 %, 80 %, 100 % of factory Q <sub>max</sub> 10-point calibration: ascending and descending at 20 %, 40 %, 60 %, 80 %, 100 % of factory Q <sub>max</sub> Matched-pair calibration: default, 5-point or 10-point
Material certificate EN 10204 3.1	Available when ordering together with meter <sup>5)</sup>	Available when ordering together with meter <sup>5)</sup>
Pressure test certificate	Available when ordering together with meter <sup>5)</sup>	Available when ordering together with meter <sup>5)</sup>
Custody Transfer (only together with MAG 6000 CT)	OIML R 49 pattern approval cold water (Denmark and Germany): DN 50 ... 300 (2" ... 12") MI-001 cold water (EU): DN 50 ... 300 (2" ... 12") PTB K7.2: Chilled water energy metering DN 50-300 (order as special) Certificate number: 22 76.10 02	
Drinking water approvals	EPDM liner: NSF/ANSI Standard 61 <sup>6)</sup> (Cold water, US) WRAS (WRc, BS6920 cold water, GB) ACS (F), DVGW W270 (D) Belgaqua (B)	NSF/ANSI Standard 61 <sup>6)</sup> (Cold water, US) WRAS (WRc, BS6920 cold water, GB)
Other approvals	MCERTS PED conforming: All EN1092-1 flanges and ANSI Class 150 (< DN 300 (<12")) – 97/23/EC <sup>7)</sup> CRN (DN 50 - DN 1200 (2" ... 48")) CSA Class I, Div 2 <sup>8)</sup> FM Class I, Div 2 <sup>8)</sup> FM Fire Service Approval according to class 1044 <sup>8)9)</sup> VdS: Extinguishing systems DN 50 ... 300	PED conforming: All EN1092-1 flanges (≤ DN 600 (≤ 24") – 97/23/EC <sup>7)</sup> CRN CSA Class I, Div 2 <sup>8)</sup> FM Class I, Div 2 <sup>8)</sup>

1) DN 750, DN 1050 and DN 1100 (30", 42" and 44") not available with EN 1092-1 (PN 10 and PN 16) and AS4087 flanges

2) Type 01 (SORF)

3) DN £ 600 type 01 (SORF); DN > 600 type 11

4) With compact transmitter MAG 5000 CT/6000 CT -20 ... +50 °C (-4 ... +122 °F); with compact MI-001 approved transmitter -25 ... +55 °C (-13 ... +131 °F)

5) Has to be ordered with the meter. It is not possible to order the certificate afterwards.

6) Including Annex G

7) For sizes larger than 600 mm (24") in PN 16 PED conformity is available as a cost-added option. The basic unit will carry the LVD (Low Voltage Directive) and EMC approval. All products sold outside of EU and EFTA are excluded from the directive, also products sold into certain market sectors are excluded. These include:

a) Meters used in networks for the supply, distribution and discharge of water.

b) Meters used in pipelines for the conveyance of any fluid from offshore to onshore.

c) Meters used in the extraction of petroleum or gas, including Christmas tree and manifold equipment.

d) Any meter mounted on a ship or mobile offshore platform. For further information on the PED standard and requirements see page 9/6.

8) Not for sensors with 300 µm coating.

9) DN 50, DN 80, DN 100, DN 150, DN 200, DN 250, and DN 300 (2", 3", 4", 6", 8", 10", and 12") with ANSI B16.5 Class 150 flanges

**MAG 5100 W (7ME6520) with MAG 6000 CT (Revenue program) MI-001**

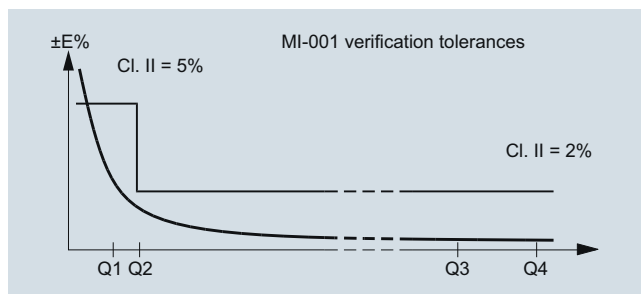
MAG 5100 W CT program is type approved according to international water meter standard OIML R 49. Since the first November 2006 the MI-001 water meter directive is in force, which means that all water meters can be sold across the EU borders if the water meters contain a MI-001 label.

The MAG 5100 W MI-001 verified and labeled products are a Class II approval according to Directive 2004/22/EC of the European Parliament and Council of March 31, 2004 on measuring instruments (MID), Annex MI-001 in the sizes from DN 50 to DN 300 (Article No. 7ME6520).

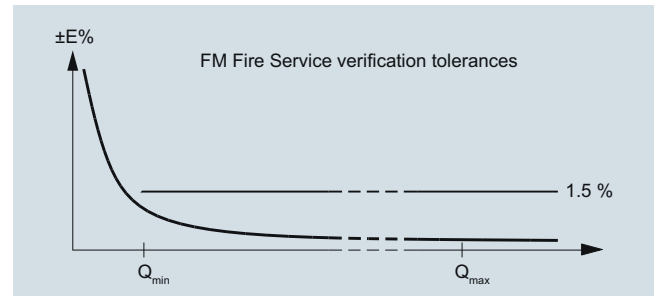
The MID certification is obtained as a modul B + D module approval according to the above mentioned directive.

Module B : Type approval according to OIML R 49

Module D : Quality insurance approval of production

**MAG 5100 W (7ME6520) with MAG 5000/MAG 6000 or MAG 6000 CT for Fire Service applications**

MAG 5100 W (7ME6520) is FM Fire Service approved for automatic fire protection systems. The approval is applicable for the sizes DN 50, DN 80, DN 100, DN 150, DN 200, DN 250 and DN 300 (2", 3", 4", 6", 8", 10" and 12") with ANSI B16.5 Class 150 flanges. The FM Fire Service approved product can be ordered via the Z-options P20, P21 and P22.



## Flow Measurement

### SITRANS F M

#### Flow sensor MAG 5100 W

MAG 5100 W (7ME6520) MI-001 verified and labeled products at a given Q3 and Q3/Q4 = 1.25 and Q2/Q1 = 1.6 measuring ranges see table below:

Order code: P11	DN 50 (2")	DN 65 (2½")	DN 80 (3")	DN 100 (4")	DN 125 (5")	DN 150 (6")	DN 200 (8")	DN 250 (10")	DN 300 (12")
„R“ Q3/Q1	25	25	25	25	25	25	25	25	25
Q4 [m³/h]	20	31.25	50	78.75	125	200	312.5	500	787.5
<b>Q3 [m³/h]</b>	<b>16</b>	<b>25</b>	<b>40</b>	<b>63</b>	<b>100</b>	<b>160</b>	<b>250</b>	<b>400</b>	<b>630</b>
Q2 [m³/h]	1.02	1.6	2.6	4.03	6.4	10.24	16	25.6	40.32
Q1 [m³/h]	0.64	1.00	1.60	2.52	4.0	6.4	10.0	16.0	25.2

Order code: P12	DN 50 (2")	DN 65 (2½")	DN 80 (3")	DN 100 (4")	DN 125 (5")	DN 150 (6")	DN 200 (8")	DN 250 (10")	DN 300 (12")
„R“ Q3/Q1	63	63	63	63	63	63	63	63	63
Q4 [m³/h]	20	31.25	50	78.75	125	200	312.5	500	787.5
<b>Q3 [m³/h]</b>	<b>16</b>	<b>25</b>	<b>40</b>	<b>63</b>	<b>100</b>	<b>160</b>	<b>250</b>	<b>400</b>	<b>630</b>
Q2 [m³/h]	0.41	0.63	1.02	1.6	2.54	4.06	6.35	10.2	16.0
Q1 [m³/h]	0.25	0.40	0.63	1.00	1.59	2.54	3.97	6.35	10.0

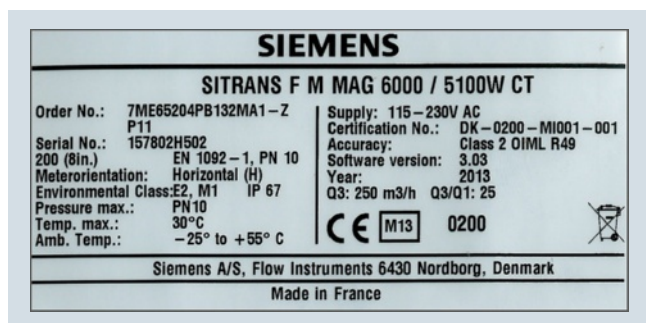
Order code: P13	DN 50 (2")	DN 65 (2½")	DN 80 (3")	DN 100 (4")	DN 125 (5")	DN 150 (6")	DN 200 (8")	DN 250 (10")	DN 300 (12")
„R“ Q3/Q1	80	80	80	80	80	80	80	80	80
Q4 [m³/h]	20	31.25	50	78.75	125	200	312.5	500	787.5
<b>Q3 [m³/h]</b>	<b>16</b>	<b>25</b>	<b>40</b>	<b>63</b>	<b>100</b>	<b>160</b>	<b>250</b>	<b>400</b>	<b>630</b>
Q2 [m³/h]	0.32	0.50	0.80	1.20	2.00	3.20	5.0	8.0	12.6
Q1 [m³/h]	0.20	0.31	0.50	0.75	1.25	2.00	3.13	5.0	7.90

Order code: P16	DN 50 (2")	DN 65 (2½")	DN 80 (3")	DN 100 (4")	DN 125 (5")	DN 150 (6")	DN 200 (8")	DN 250 (10")	DN 300 (12")
„R“ Q3/Q1	160	160	160	160	160	160	160	160	160
Q4 [m³/h]	50	78.75	125	200	312.5	500	787.5	1250	2000
<b>Q3 [m³/h]</b>	<b>40</b>	<b>63</b>	<b>100</b>	<b>160</b>	<b>250</b>	<b>400</b>	<b>630</b>	<b>1000</b>	<b>1600</b>
Q2 [m³/h]	0.40	0.63	1.00	1.60	2.50	4.00	6.3	10.0	16.0
Q1 [m³/h]	0.25	0.39	0.63	1.00	1.56	2.50	3.94	6.3	10.0

Order code: P17	DN 50 (2")	DN 65 (2½")	DN 80 (3")	DN 100 (4")	DN 125 (5")	DN 150 (6")	DN 200 (8")	DN 250 (10")	DN 300 (12")
„R“ Q3/Q1	200	200	200	200	200	200	200	200	200
Q4 [m³/h]	50	78.75	125	200	312.5	500	787.5	1250	2000
<b>Q3 [m³/h]</b>	<b>40</b>	<b>63</b>	<b>100</b>	<b>160</b>	<b>250</b>	<b>400</b>	<b>630</b>	<b>1000</b>	<b>1600</b>
Q2 [m³/h]	0.32	0.50	0.80	1.28	2.00	3.20	5.0	8.0	12.8
Q1 [m³/h]	0.20	0.32	0.50	0.80	1.25	2.00	3.15	5.0	8.0

Order code: P18	DN 50 (2")	DN 65 (2½")	DN 80 (3")	DN 100 (4")	DN 125 (5")	DN 150 (6")	DN 200 (8")	DN 250 (10")	DN 300 (12")
„R“ Q3/Q1	250	250	250	250	250	250	250	250	250
Q4 [m³/h]	50	78.75	125	200	312.5	500	787.5	1250	2000
<b>Q3 [m³/h]</b>	<b>40</b>	<b>63</b>	<b>100</b>	<b>160</b>	<b>250</b>	<b>400</b>	<b>630</b>	<b>1000</b>	<b>1600</b>
Q2 [m³/h]	0.26	0.40	0.64	1.02	1.60	2.56	4.0	6.4	10.24
Q1 [m³/h]	0.16	0.25	0.40	0.64	1.00	1.60	2.52	4.0	6.4

The Label is placed on the side of the encapsulation. An example of the product label is shown below:



OIML R 49/MI-001 approvals valid for:




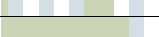

- DN 50 to 300 mm (2" to 12")
- Horizontal installation
- Compact or remote with max. 3 m cable
- Power supply 115/230 V AC

Other restrictions may apply (see certificate).

Special OIML / MI-001 settings:

- Unit: m<sup>3</sup>
- Qmax: Q3
- Digital output: Frequency

For other factory settings, see Operating Instructions.

Selection and Ordering data	Article No.	Selection and Ordering data	Article No.
<b>Sensor SITRANS F M MAG 5100 W</b>	<b>7 ME 6 5 2 0 -</b>	<b>Sensor SITRANS F M MAG 5100 W</b>	<b>7 ME 6 5 2 0 -</b>
Hastelloy electrodes, carbon steel flanges, EU water markets and low flow applications	 - 2 	Hastelloy electrodes, carbon steel flanges, EU water markets and low flow applications	 - 2 
➤ Click on the Article No. for the online configuration in the PIA Life Cycle Portal.			
<b>Diameter</b>		<b>Communication</b>	
DN 15 (½")	➤ 1 V	None	➤ A
DN 25 (1")	➤ 2 D	HART	➤ B
DN 40 (1½")	➤ 2 R	PROFIBUS PA Profile 3 (only MAG 6000/MAG 6000 I)	➤ F
DN 50 (2")	➤ 2 Y	PROFIBUS DP Profile 3 (only MAG 6000/MAG 6000 I)	➤ G
DN 65 (2½")	➤ 3 F	Modbus RTU/RS 485 (only MAG 6000/MAG 6000 I)	➤ E
DN 80 (3")	➤ 3 M	FOUNDATION Fieldbus H1 (only MAG 6000/ MAG 6000 I)	➤ J
DN 100 (4")	➤ 3 T		
DN 125 (5")	➤ 4 B	<b>Cable glands/terminal box</b>	
DN 150 (6")	➤ 4 H	Metric/Polyamid terminal box or 6000 I compact	➤ 1
DN 200 (8")	➤ 4 P	½" NPT/Polyamid terminal box or 6000 I compact	➤ 2
DN 250 (10")	➤ 4 V		
DN 300 (12")	➤ 5 D	➤ We can offer shorter delivery times for configurations designated with the Quick Ship Symbol  . For details see page 9/5 in the appendix.	
DN 350 (14")	➤ 5 K		
DN 400 (16")	➤ 5 R		
DN 450 (18")	➤ 5 Y		
DN 500 (20")	➤ 6 F		
DN 600 (24")	➤ 6 P		
DN 700 (28")	➤ 6 Y		
DN 750 (30")	➤ 7 D		
DN 800 (32")	➤ 7 H		
DN 900 (36")	➤ 7 M		
DN 1000 (40")	➤ 7 R		
(42")	➤ 7 U		
(44")	➤ 7 V		
DN 1200 (48")	➤ 8 B		
<b>Flange norm and pressure rating</b>			
to EN 1092-1			
PN 10 (DN 200 ... 1200/8" ... 48")	➤ B		
PN 16 (DN 50 ... 1200/2" ... 48")	➤ C		
PN 16, non PED (DN 700 ... 1200/28" ... 48")	➤ D		
PN 40 (DN 15 ... 40/½" ... 1½")	➤ F		
to ANSI B16.5			
class 150 (½" ... 24")	➤ J		
to AWWA C-207			
Class D (28" ... 48")	➤ L		
to AS 4087			
PN 16 (DN 50 ... 1200/2" ... 48")	➤ N		
<b>Flange material and coating</b>			
Carbon steel flanges ASTM A 105, 150 µm coating	➤ 1		
Carbon steel flanges ASTM A 105, 300 µm coating	➤ 4		
<b>Liner material</b>			
EPDM	➤ 2		
NBR Hard Rubber	➤ 3		
<b>Transmitter</b>			
Sensor for remote transmitter (Order transmitter separately)	➤	A	
MAG 6000 I, Aluminum, 18 ... 90 V DC, 115 ... 230 V AC	➤	C	
MAG 6000, Polyamid, 11 ... 30 V DC/11 ... 24 V AC	➤	H	
MAG 6000, Polyamid, 115 ... 230 V AC	➤	J	
MAG 5000, Polyamid, 11 ... 30 V DC/11 ... 24 V AC	➤	K	
MAG 5000, Polyamid, 115 ... 230 V AC	➤	L	
MAG 6000 CT, Polyamid, 115 ... 230 V AC	➤	M	

# Flow Measurement

## SITRANS F M

### Flow sensor MAG 5100 W

#### Selection and Ordering data

#### Order code

##### Additional information

Please add “-Z” to Article No. and specify Order code(s) and plain text.

Pressure test certificate according to EN 10204-3.1

**C01**

Material certificate according to EN 10204-3.1

**C12**

Factory certificate according to EN 10204-2.2

**C14**

Factory certificate according to EN 10204-2.1

**C15**

FP2E marking (only France)

**C17**

Special calibration

• 5-point calibration for DN 15 ... DN 200<sup>1)</sup>

**D01**

• 5-point calibration for DN 250 ... DN 600<sup>1)</sup>

**D02**

• 5-point calibration for DN 700 ... DN 1200<sup>1)</sup>

**D03**

• 10-point calibration for DN 15 ... DN 200<sup>2)</sup>

**D06**

• 10-point calibration for DN 250 ... DN 600<sup>2)</sup>

**D07**

• 10-point calibration for DN 700 ... DN 1200<sup>2)</sup>

**D08**

• Default (2 x 25 % and 2 x 90 %) match-pair calibration for DN 15 ... DN 200

**D11**

• Default (2 x 25 % and 2 x 90 %) match-pair calibration for DN 250 ... DN 600

**D12**

• Default (2 x 25 % and 2 x 90 %) match-pair calibration for DN 700 ... DN 1200

**D13**

• 5-point, matched-pair calibration for DN 15 ... DN 200<sup>1)</sup>

**D15**

• 5-point, matched-pair calibration for DN 250 ... DN 600<sup>1)</sup>

**D16**

• 5-point, matched-pair calibration for DN 700 ... DN 1200<sup>1)</sup>

**D17**

• 10-point, matched-pair calibration for DN 15 ... DN 200<sup>2)</sup>

**D18**

• 10-point, matched-pair calibration for DN 250 ... DN 600<sup>2)</sup>

**D19**

• 10-point, matched-pair calibration for DN 700 ... DN 1200<sup>2)</sup>

**D20**

With pre-mounted terminal blocks for remote systems

**N02**

Approval/Verification<sup>3)</sup>

(MI-001 : DN 50 ... 300 (compact only), EN 1092-1 PN10 and PN16 flanges with MAG 6000 CT<sup>4)</sup>)

• Without verification according to OIML R 49

**P10**

• MI-001 Q3/Q1 = 25

**P11**

• MI-001 Q3/Q1 = 63

**P12**

• MI-001 Q3/Q1 = 80

**P13**

• MI-001 Q3/Q1 = 160

**P16**

• MI-001 Q3/Q1 = 200

**P17**

• MI-001 Q3/Q1 = 250

**P18**

FM Fire Service Approval (with ANSI B16.5 Class 150 flanges)

• DN 50, DN 80 and DN 100 (2", 3" and 4")

**P20**

• DN 150 and DN 200 (6" and 8")

**P21**

• DN 250 and DN 300 (10" and 12")

**P22**

Tag name plate, stainless steel fixed with SS wire (add plain text)

**Y17**

Tag name plate, plastic (self-adhesive)

**Y18**

Customer-specific converter setup

**Y20**

Sensor cables wired (specify cable Article No.)

**Y40**

Sensor for remote transmitter's junction box potted to IP68 with wired cable (specify cable Article No.)

**Y41**

Other postproduction requirements (add desired text)

**Y99**

#### Selection and Ordering data

#### Order code

##### Additional Calibrations

Accredited Siemens Flow Instruments matched pair Calibration acc. to ISO/IEC 17025:2005

**On request<sup>5)</sup>**

Customer-witnessed calibration  
Any of above calibration

**On request<sup>5)</sup>**

<sup>1)</sup> 20 %, 40 %, 60 %, 80 %, 100 % of factory Q<sub>max</sub>

<sup>2)</sup> Ascending and descending at 20 %, 40 %, 60 %, 80 %, 100 % of factory Q<sub>max</sub>

<sup>3)</sup> For more details and references of the ranges please see the tables on page 3/96.

<sup>4)</sup> For remote version submit Product Variation Request.

<sup>5)</sup> Ordering On request as dedicated information from the customer on the individual sensors is required.

#### Operating instructions for SITRANS F M MAG 5100 W

##### Description

##### Article No.

- English
- German
- Spanish
- French
- Chinese

**A5E03063678**  
**A5E03376527**  
**A5E00376529**  
**A5E03376521**  
**A5E03376501**

This device is shipped with a Quick Start guide and a CD containing further SITRANS F literature.

All literature is also available for free at:

<http://www.siemens.com/flowdocumentation>

#### Accessories

##### Description

##### Article No.

Potting kit for terminal box of flow sensors for IP68/NEMA 6P

◆ **FDK:085U0220**



◆ We can offer shorter delivery times for configurations designated with the Quick Ship Symbol ◆. For details see page 9/5 in the appendix.

MAG 5000/6000 transmitters and sensors are packed in separate boxes, the final assembly takes place during installation at the customer's place. MAG 6000 I transmitters and sensors are delivered compact mounted from factory.

Communication module will be pre-mounted in the transmitter.

Please use online Product selector to get latest updates.

Product selector link:

[www.pia-portal.automation.siemens.com](http://www.pia-portal.automation.siemens.com)

Selection and Ordering data	Article No.	Selection and Ordering data	Article No.
<b>Sensor SITRANS F M MAG 5100 W</b>	<b>7 ME 6 5 8 0 -</b>	<b>Sensor SITRANS F M MAG 5100 W</b>	<b>7 ME 6 5 8 0 -</b>
Hastelloy electrodes, carbon steel flanges, Non EU water markets		Hastelloy electrodes, carbon steel flanges, Non EU water markets	
↗ Click on the Article No. for the online configuration in the PIA Life Cycle Portal.			
<b>Diameter</b>		<b>Transmitter with display</b>	
DN 25 (1")	2 D	Sensor for remote transmitter (Order transmitter separately)	A
DN 40 (1½")	2 R	MAG 6000, Polyamid, 11 ... 30 V DC/11 ... 24V AC	H
DN 50 (2")	2 Y	MAG 6000, Polyamid, 115 ... 230 V AC	J
DN 65 (2½")	3 F	MAG 5000, Polyamid, 11 ... 30 V DC/11 ... 24V AC	K
DN 80 (3")	3 M	MAG 5000, Polyamid, 115 ... 230 V AC	L
DN 100 (4")	3 T	<b>Communication</b>	
DN 125 (5")	4 B	No communication, add-on possible	A
DN 150 (6")	4 H	HART	B
DN 200 (8")	4 P	PROFIBUS PA Profile 3 (only MAG 6000)	F
DN 250 (10")	4 V	PROFIBUS DP Profile 3 (only MAG 6000)	G
DN 300 (12")	5 D	Modbus RTU/RS 485 (only MAG 6000)	E
DN 350 (14")	5 K	FOUNDATION Fieldbus H1 (only MAG 6000)	J
DN 400 (16")	5 R	<b>Cable glands/terminal box</b>	
DN 450 (18")	5 Y	Metric	1
DN 500 (20")	6 F	½" NPT	2
DN 600 (24")	6 P		
DN 700 (28")	6 Y		
DN 750 (30")	7 D		
DN 800 (32")	7 H		
DN 900 (36")	7 M		
DN 1000 (40")	7 R		
(42")	7 U		
(44")	7 V		
DN 1200 (48")	8 B		
DN 1400 (54")	8 F		
DN 1500 (60")	8 K		
DN 1600 (66")	8 P		
DN 1800 (72")	8 T		
DN 2000 (78")	8 Y		
<b>Flange norm and pressure rating</b>			
to EN 1092-1			
PN 6 (DN 1400 ... 2000 (54" ... 78")) <sup>1)</sup>	A		
PN 10 (DN 200 ... 2000 (8" ... 78")) <sup>1)</sup>	B		
PN 16 (DN 65 ... 600 (2½" ... 24"))	C		
PN 16, non-PED (DN 700 ... 2000 (28" ... 78"))	D		
PN 40 (DN 25 ... 50 (1" ... 2"))	F		
to ANSI B16.5			
class 150 (1" ... 24")	J		
to AWWA C-207			
Class D (28" ... 78") <sup>1)</sup>	L		
to AS 4087			
PN 16 (DN 50 ... 1200 (2" ... 48"))	N		
to JIS			
B 2220:2004 K10 (1" ... 24")	R		
<b>Flange material and coating</b>			
Carbon steel flanges ASTM A 105, 150 µm coating	1		
Carbon steel flanges ASTM A 105, 300 µm coating	4		
<b>Liner material</b>			
Ebonite Hard Rubber	4		
<b>Electrode material</b>			
Hastelloy	2		

<sup>1)</sup> DN 1400 to DN 2000 (54" to 78") do not conform to PED or CRN.

• We can offer shorter delivery times for configurations designated with the Quick Ship Symbol •. For details see page 9/5 in the appendix.



## Flow Measurement

### SITRANS F M

#### Flow sensor MAG 5100 W

Selection and Ordering data	Order code
<b>Additional information</b>	
Please add “-Z” to Article No. and specify Order code(s) and plain text.	
Pressure test certificate according to EN 10204-3.1	<b>C01</b>
Material certificate according to EN 10204-3.1	<b>C12<sup>1)</sup></b>
Factory certificate according to EN 10204-2.2	<b>C14</b>
Factory certificate according to EN 10204-2.1	<b>C15</b>
Special calibration	
• 5-point calibration for DN 15 ... DN 200 <sup>2)</sup>	<b>D01</b>
• 5-point calibration for DN 250 ... DN 600 <sup>2)</sup>	<b>D02</b>
• 5-point calibration for DN 700 ... DN 1200 <sup>2)</sup>	<b>D03</b>
• 10-point calibration for DN 15 ... DN 200 <sup>3)</sup>	<b>D06</b>
• 10-point calibration for DN 250 ... DN 600 <sup>3)</sup>	<b>D07</b>
• 10-point calibration for DN 700 ... DN 1200 <sup>3)</sup>	<b>D08</b>
• Default (2 x 25 % and 2 x 90 %) match-pair calibration for DN 15 ... DN 200	<b>D11</b>
• Default (2 x 25 % and 2 x 90 %) match-pair calibration for DN 250 ... DN 600	<b>D12</b>
• Default (2 x 25 % and 2 x 90 %) match-pair calibration for DN 700 ... DN 1200	<b>D13</b>
• 5-point, matched-pair calibration for DN 15 ... DN 200 <sup>2)</sup>	<b>D15</b>
• 5-point, matched-pair calibration for DN 250 ... DN 600 <sup>2)</sup>	<b>D16</b>
• 5-point, matched-pair calibration for DN 700 ... DN 1200 <sup>2)</sup>	<b>D17</b>
• 10-point, matched-pair calibration for DN 15 ... DN 200 <sup>3)</sup>	<b>D18</b>
• 10-point, matched-pair calibration for DN 250 ... DN 600 <sup>3)</sup>	<b>D19</b>
• 10-point, matched-pair calibration for DN 700 ... DN 1200 <sup>3)</sup>	<b>D20</b>
With pre-mounted terminal blocks for remote systems	<b>N02</b>
Tag name plate, stainless steel fixed with SS wire	<b>Y17</b>
Tag name plate, plastic (self-adhesive)	<b>Y18</b>
Customer-specific converter setup	<b>Y20</b>
Sensor cables wired (specify cable Article No.)	<b>Y40</b>
Sensor for remote transmitter's junction box potted to IP68 with wired cable (specify cable Article No.)	<b>Y41</b>
Other postproduction requirements (add desired text)	<b>Y99</b>

<sup>1)</sup> Under preparation

<sup>2)</sup> 20 %, 40 %, 60 %, 80 %, 100 % of factory  $Q_{max}$

<sup>3)</sup> Ascending and descending at 20 %, 40 %, 60 %, 80 %, 100 % of factory  $Q_{max}$

◆ We can offer shorter delivery times for configurations designated with the Quick Ship Symbol ◆. For details see page 9/5 in the appendix.

#### Operating instructions for SITRANS F M MAG 5100 W

Description	Article No.
• German	<b>A5E03376527</b>
• English	<b>A5E03063678</b>
• French	<b>A5E03376521</b>
• Spanish	<b>A5E03376529</b>
• Chinese	<b>A5E03376501</b>

This device is shipped with a Quick Start guide and a CD containing further SITRANS F literature.

All literature is also available for free at:

<http://www.siemens.com/flowdocumentation>

#### Accessories

Description	Article No.
Potting kit for terminal box of flow sensors for IP68/NEMA 6P	◆ <b>FDK:085U0220</b>



◆ We can offer shorter delivery times for configurations designated with the Quick Ship Symbol ◆. For details see page 9/5 in the appendix.

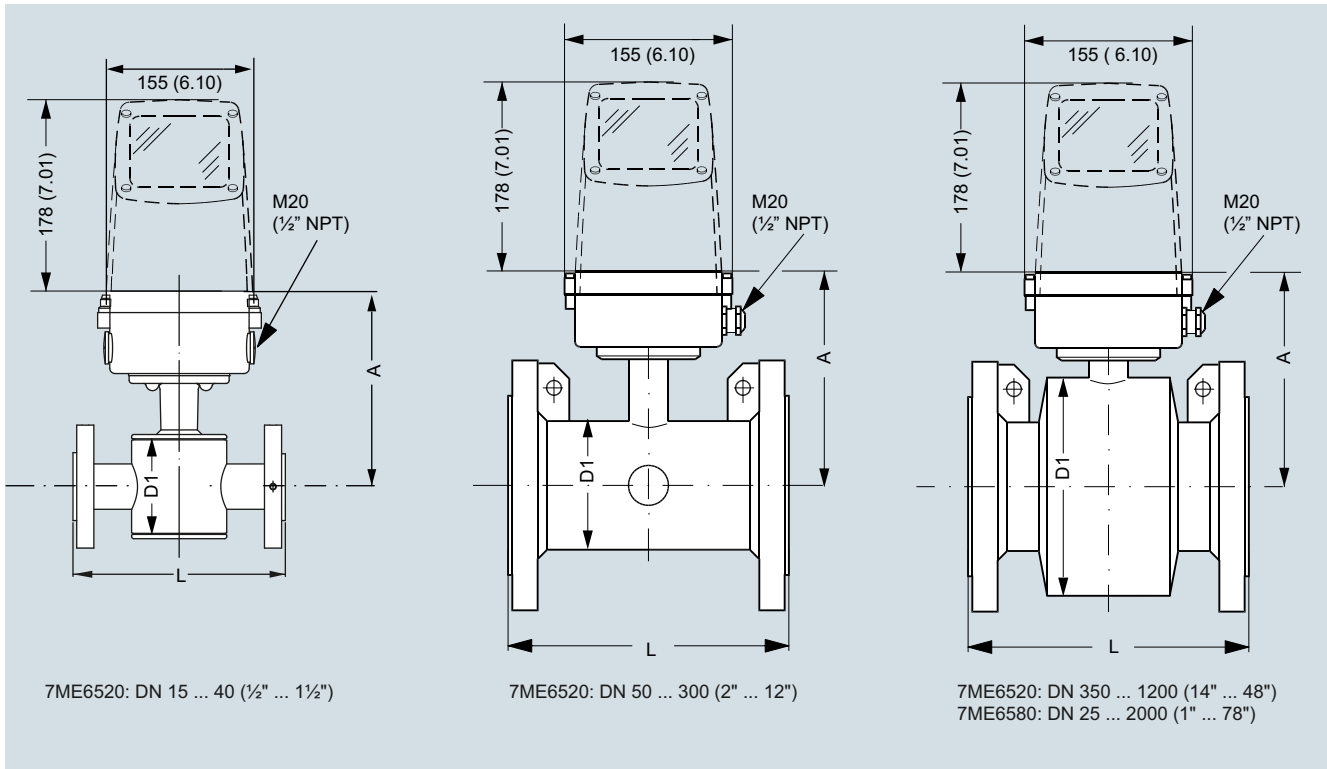
MAG 5000/6000 transmitters and sensors are packed in separate boxes, the final assembly takes place during installation at the customer's place.

Communication module will be pre-mounted in the transmitter.

Please use online Product selector to get latest updates.

Product selector link: [www.pia-portal.automation.siemens.com](http://www.pia-portal.automation.siemens.com)

## Dimensional drawings



7ME6520 NBR or EPDM liner						7ME6580 Ebonite liner					
Nominal size		A		D1		A		D1		L	
[mm]	[inch]	[mm]	[inch]	[mm]	[inch]	[mm]	[inch]	[mm]	[inch]	[mm]	[inch]
15	1/2	177	7.0	77	3.0	-	-	-	-	200	7.9
25	1	187	7.4	96	3.8	187	7.4	104	4.09	200	7.9
40	1 1/2	202	8.0	127	5.0	197	7.8	124	4.88	200	7.9
50	2	188	7.4	76	3.0	205	8.1	139	5.47	200	7.9
65	2 1/2	194	7.6	89	3.5	212	8.3	154	6.06	200	7.9
80	3	200	7.9	102	4.0	222	8.7	174	6.85	200	7.9
100	4	207	8.1	114	4.5	242	9.5	214	8.43	250	9.8
125	5	217	8.5	140	5.5	255	10.0	239	9.41	250	9.8
150	6	232	9.1	168	6.6	276	10.9	282	11.1	300	11.8
200	8	257	10.1	219	8.6	304	12.0	338	13.31	350	13.8
250	10	284	11.2	273	10.8	332	13.1	393	15.47	450	17.7
300	12	310	12.2	324	12.8	357	14.1	444	17.48	500	19.7
350	14	382	15.0	451	17.8	362	14.3	451	17.76	550	21.7
400	16	407	16.0	502	19.8	387	15.2	502	19.76	600	23.6
450	18	438	17.2	563	22.2	418	16.5	563	22.16	600	23.6
500	20	463	18.2	614	24.2	443	17.4	614	24.17	600	23.6
600	24	514	20.2	715	28.2	494	19.4	715	28.15	600	23.6
700	28	564	22.2	816	32.1	544	21.4	816	32.13	700	27.6
750	30	591	23.3	869	34.2	571	22.5	869	34.21	750	29.5
800	32	616	24.3	927	36.5	606	23.9	927	36.5	800	31.5
900	36	663	26.1	1032	40.6	653	25.7	1032	40.63	900	35.4
1000	40	714	28.1	1136	44.7	704	27.7	1136	44.72	1000	39.4
	42	714	28.1	1136	44.7	704	27.7	1136	44.72	1000	39.4
	44	765	30.1	1238	48.7	755	29.7	1238	48.74	1100	43.3
1200	48	820	32.3	1348	53.1	810	31.9	1348	53.07	1200	47.2
1400	54	-	-	-	-	925	36.4	1574	65.94	1400	55.1
1500	60	-	-	-	-	972	38.2	1672	65.83	1500	59.1
1600	66	-	-	-	-	1025	40.4	1774	75.39	1600	63
1800	72	-	-	-	-	1123	44.2	1974	77.72	1800	70.9
2000	78	-	-	-	-	1223	48.1	2174	85.59	2000	78.7

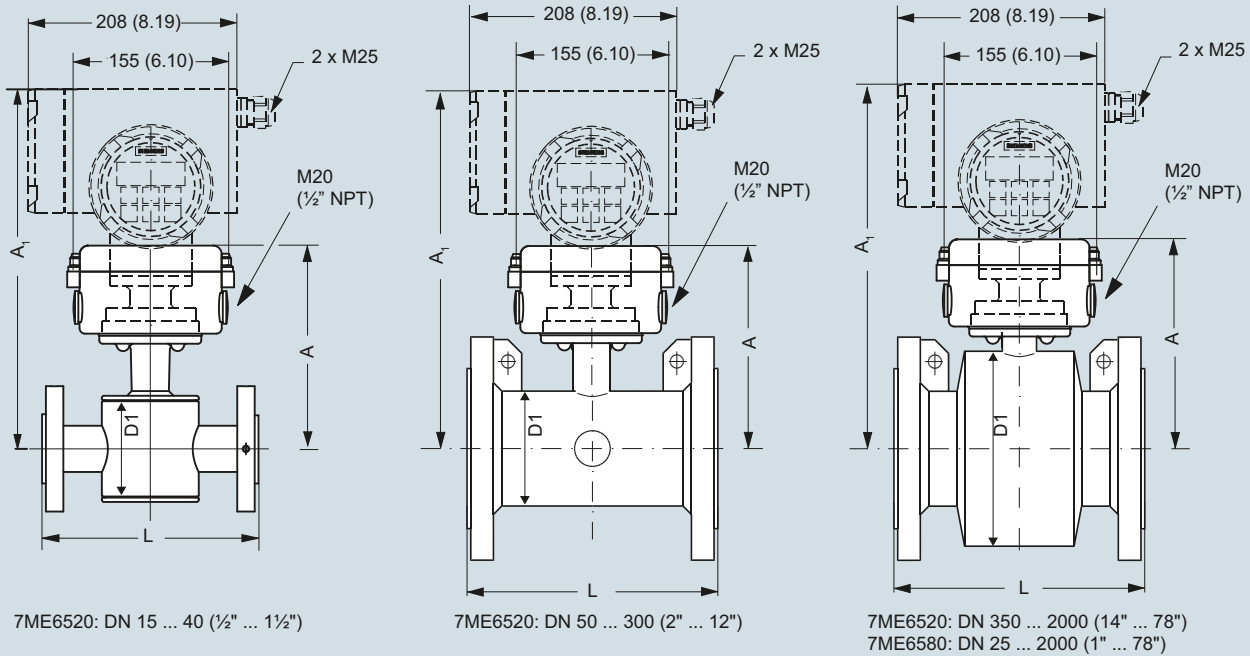
- not available

## Flow Measurement

### SITRANS F M

#### Flow sensor MAG 5100 W

#### MAG 5100 W/6000 I Compact



7ME6520 NBR or EPDM liner								7ME6580 Ebonite liner							
Nominal size	A	A1		D1				A	A1		D1		L		
[mm] [inch]	[mm] [inch]	[mm] [inch]	[mm] [inch]	[mm] [inch]	[mm] [inch]	[mm] [inch]	[mm] [inch]	[mm] [inch]	[mm] [inch]	[mm] [inch]	[mm] [inch]	[mm] [inch]	[mm] [inch]	[mm] [inch]	
15	½	177	7.0	331	13.0	77	3.0	187	7.4	-	-	-	-	200	7.9
25	1	187	7.4	341	13.4	96	3.8	187	7.4	341	13.4	104	4.09	200	7.9
40	1½	202	8.0	356	14.0	127	5.0	197	7.8	351	13.8	124	4.88	200	7.9
50	2	188	7.4	342	13.5	76	3.0	205	8.1	359	14.1	139	5.47	200	7.9
65	2½	194	7.6	348	13.7	89	3.5	212	8.3	366	14.4	154	6.06	200	7.9
80	3	200	7.9	354	14.0	102	4.0	222	8.7	376	14.8	174	6.85	200	7.9
100	4	207	8.1	361	14.2	114	4.5	242	9.5	396	15.6	214	8.43	250	9.8
125	5	217	8.5	371	14.6	140	5.5	255	10.0	409	16.1	239	9.41	250	9.8
150	6	232	9.1	386	15.2	168	6.6	276	10.9	430	16.9	282	11.1	300	11.8
200	8	257	10.1	411	16.2	219	8.6	304	12.0	458	18.0	338	13.31	350	13.8
250	10	284	11.2	438	17.2	273	10.8	332	13.1	486	19.1	393	15.47	450	17.7
300	12	310	12.2	464	18.3	324	12.8	357	14.1	511	20.1	444	17.48	500	19.7
350	14	382	15.0	536	21.1	451	17.8	362	14.3	516	20.3	451	17.76	550	21.7
400	16	407	16.0	561	22.1	502	19.8	387	15.2	541	21.3	502	19.76	600	23.6
450	18	438	17.2	592	23.3	563	22.2	418	16.5	572	22.5	563	22.16	600	23.6
500	20	463	18.2	617	24.3	614	24.2	443	17.4	597	23.5	614	24.17	600	23.6
600	24	514	20.2	668	26.3	715	28.2	494	19.4	648	25.5	715	28.15	600	23.6
700	28	564	22.2	718	28.3	816	32.1	544	21.4	698	27.5	816	32.13	700	27.6
750	30	591	23.3	745	29.3	869	34.2	571	22.5	725	28.5	869	34.21	750	29.5
800	32	616	24.3	770	30.3	927	36.5	606	23.9	760	29.9	927	36.5	800	31.5
900	36	663	26.1	817	32.2	1032	40.6	653	25.7	807	31.8	1032	40.63	900	35.4
1000	40	714	28.1	868	34.2	1136	44.7	704	27.7	858	33.8	1136	44.72	1000	39.4
	42	714	28.1	868	34.2	1136	44.7	704	27.7	858	33.8	1136	44.72	1000	39.4
	44	765	30.1	919	36.2	1238	48.7	755	29.7	904	35.6	1238	48.74	1100	43.3
1200	48	820	32.3	974	38.3	1348	53.1	810	31.9	964	38.0	1348	53.07	1200	47.2
1400	54	-	-	-	-	-	-	925	36.4	1079	42.5	1574	61.97	1400	55.1
1500	60	-	-	-	-	-	-	972	38.2	1126	44.3	1672	65.83	1500	59.1
1600	66	-	-	-	-	-	-	1025	40.4	1179	46.4	1774	69.84	1600	63.0
1800	72	-	-	-	-	-	-	1123	44.2	1277	50.3	1974	77.72	1800	70.9
2000	78	-	-	-	-	-	-	1223	48.1	1377	54.2	2174	85.59	2000	78.7

- not available

**Weight**

Nominal size		7ME6520 NBR or EPDM liner										7ME6580 Ebonite liner	
		PN 10		PN 16		PN 40		Class 150/AWWA		AS		PN 16	
[mm]	[inch]	[kg]	[lb]	[kg]	[lb]	[kg]	[lb]	[kg]	[lb]	[kg]	[lb]	[kg]	[lb]
15	½	-	-	-	-	4	9	4	9	4	9	5	11
25	1	-	-	-	-	6	12	5	11	4	9	5	11
40	1½	-	-	-	-	8	18	7	15	7	15	8	17
50	2	-	-	9	20	-	-	8	20	9	20	9	20
65	2½	-	-	10.7	24	-	-	11	24	10.7	24	11	24
80	3	-	-	11.6	26	-	-	13	28	11.6	26	12	26
100	4	-	-	15.2	33	-	-	19	41	15.2	33	16	35
125	5	-	-	20.4	45	-	-	24	52	-	-	19	42
150	6	-	-	26	57	-	-	29	64	26	57	27	60
200	8	48	106	48	106	-	-	56	124	48	106	40	88
250	10	64	141	69	152	-	-	79	174	69	152	60	132
300	12	76	167	86	189	-	-	110	243	86	189	80	176
350	14	104	229	125	274	-	-	139	307	115	254	110	242
400	16	119	263	143	314	-	-	159	351	125	277	125	275
450	18	136	299	173	381	-	-	182	400	141	311	175	385
500	20	163	359	223	491	-	-	225	495	189	418	200	440
600	24	236	519	338	744	-	-	320	704	301	664	287	633
700	28	270	595	314	692	-	-	273	602	320	704	330	728
750	30	-	-	-	-	-	-	329	725	-	-	360	794
800	32	346	763	396	873	-	-	365	804	428	944	450	992
900	36	432	951	474	1043	-	-	495	1089	619	1362	530	1168
1000	40	513	1130	600	1321	-	-	583	1282	636	1399	660	1455
	42	-	-	-	-	-	-	687	1512	-	-	-	-
	44	-	-	-	-	-	-	763	1680	-	-	1140	2513
1200	48	643	1415	885	1948	-	-	861	1896	813	1789	1180	2601
1400	54	1592	3510	-	-	-	-	-	-	-	-	1600	3528
1500	60	-	-	-	-	-	-	-	-	-	-	2460	5423
1600	66	2110	4652	-	-	-	-	-	-	-	-	2525	5566
1800	72	2560	5644	-	-	-	-	-	-	-	-	2930	6460
2000	78	3640	8025	-	-	-	-	-	-	-	-	3665	8080

- not available

With transmitter MAG 5000 and MAG 6000 compact, weight is increased by approximately 0.8 kg (1.8 lb), with MAG 6000 I, weight is increased by 5.5 kg (12.1 lb).